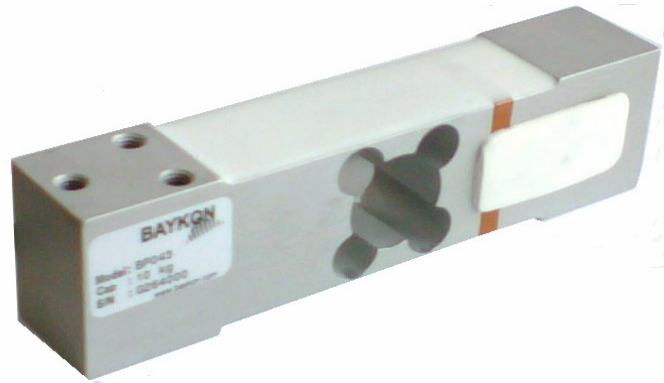


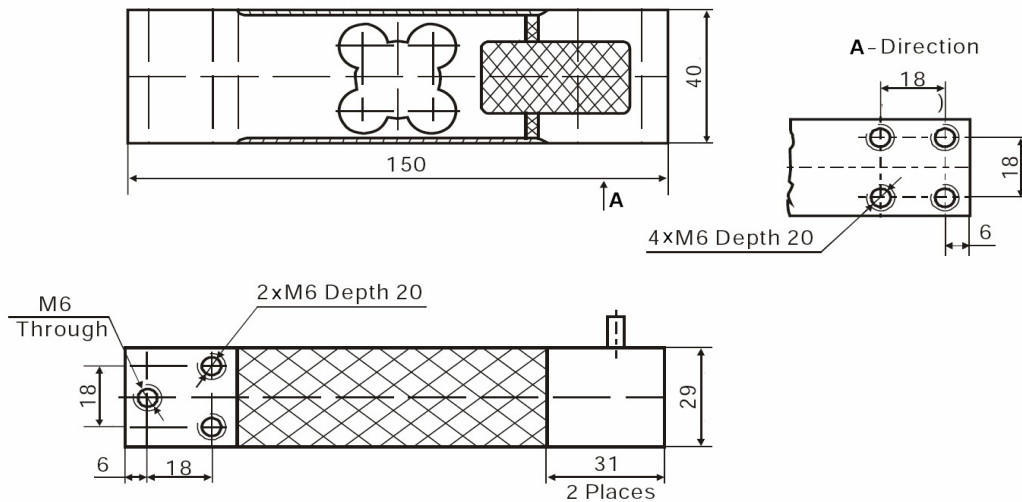
Type BP043 is an aluminum construction and adhesive sealed single point type loadcell. It is suitable for bench scale, counting scale, balance, packing machines and similar electronic weighing devices or systems.



## Key features;

- Capacities; 5 ~ 200 kg
- Aluminum construction
- Max. platform size: 350 x 400mm
- Protection IP65

## Dimensions (mm);



### Color codes;

+ input	red
+ output	green
+ sense	blue
- input	black
- output	white
- sense	brown
shield	

## Technical specifications;

Capacity	kg	5 / 8 / 10 / 15 / 20 / 30 / 50 / 80 / 100 / 150 / 200
Output sensitivity	mV / V	2.0 ± 0.2
Temperature effect on zero	%FS / 10°C	≤ 0.02
Temperature effect on sensitivity	%FS / 10°C	≤ 0.017
Combined error	%FS	≤ 0.02
Creep	%FS	≤ 0.02
Input resistance	Ω	409 ± 6
Output resistance	Ω	350 ± 3
Insulation resistance	MΩ	≥ 5000
Zero balance	%FS	≤ 2
Temperature, operating	°C	-35...+65
Excitation, Recommended	V	5 - 12 (DC)
Excitation, Maximum	V	15 (DC)
Safe overload	%FS	150
Ultimate overload	%FS	300
Construction		Aluminum
Environmental protection		IP65
Cable		Length 3 m , diameter 5 mm

(Properties are subject to change without notification. 01 / 2009)